



APE Diesel Hammers

A Study of the APE Single Acting
Diesel Pile Hammer Accessories

Drive Caps and Components

What is a drive cap or insert?

What is a drive base or primary?

What is cushion material?

What is the application?

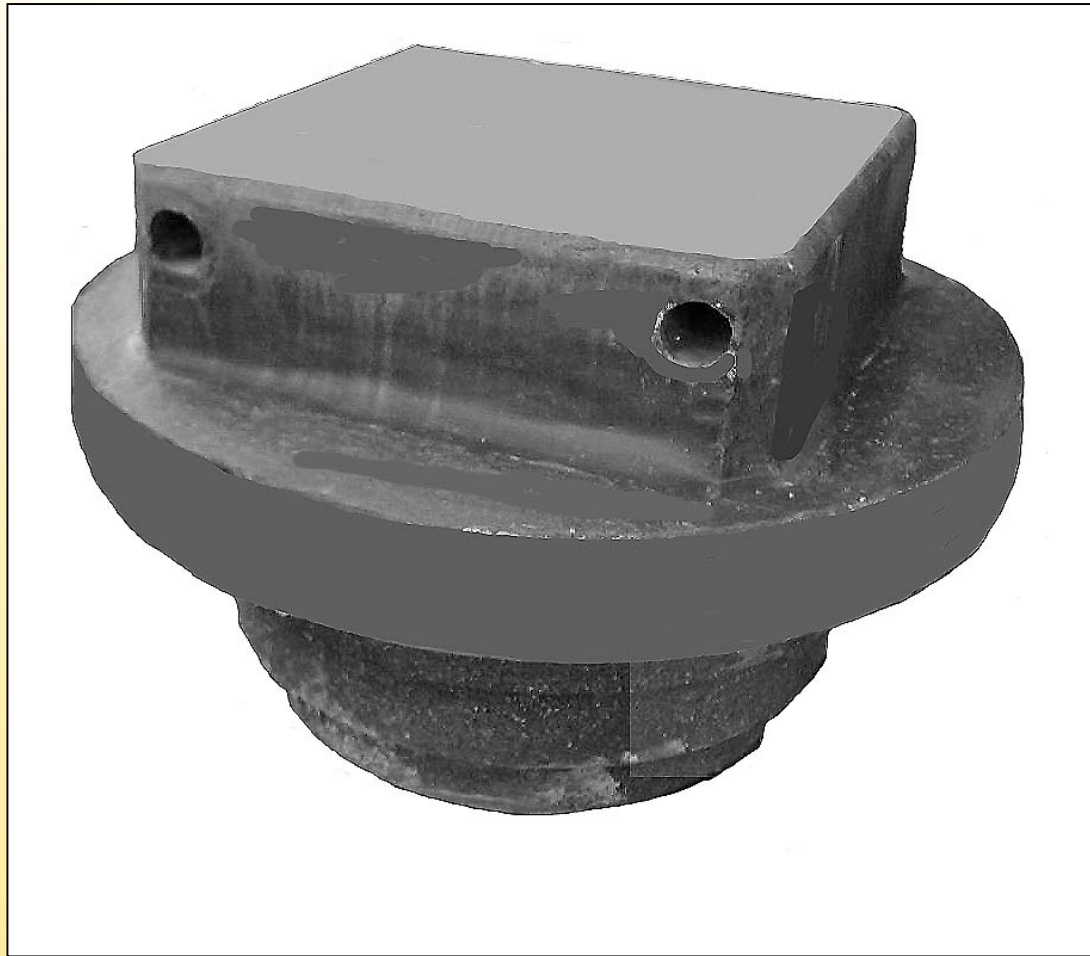


APE Drive Cap

A drive cap is what fits the pile!



Different types of drive caps for different types of piles.



What is this drive cap?



DCI Drive Cap Insert, square box type
20 inch square by 17 inches deep



What Pile would this drive cap drive?

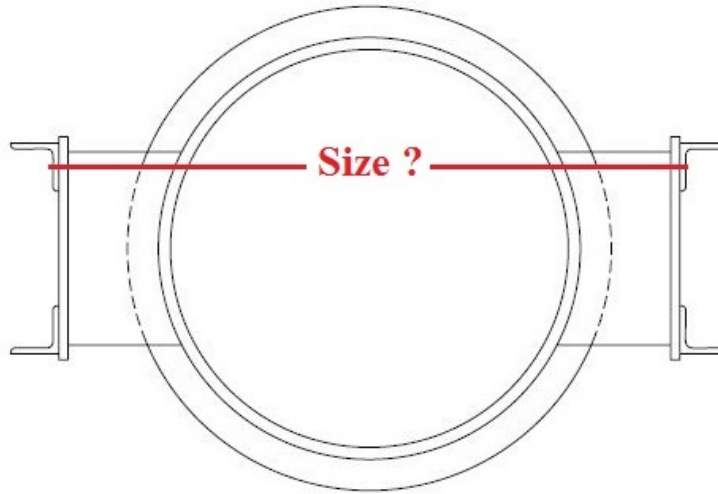


What is this drive cap called?
What is missing?



Floating Rabbit

Top View



Side View



Drive Base or Primary



DCB Drive Cap Base 8 by 26 inch
Weight without stricker plate or cushion: 1200 lbs.



How do I know what size it is?



DCB Drive Cap Base 8 by 32 inch
Weight: 886 kg 1,950 lbs



Drive Base to fit Lead Size!



DCB Drive Cap Base 8 by 37 inch
Weight without striker plate or cushion: 2,025 lbs



Cushion Material

What do I need to know about Cushion Material?

How will this benefit me in the field?

Different types of Cushion Materials.



Plastic or Nylon?



**Nylon cushion material
2 inch thick in various diameters
Use on D30 and smaller type hammers
Switch to aluminum and conbest on larger hammers**



Aluminum



**Aluminum cushion material
1/2 thick plates in various diameters**



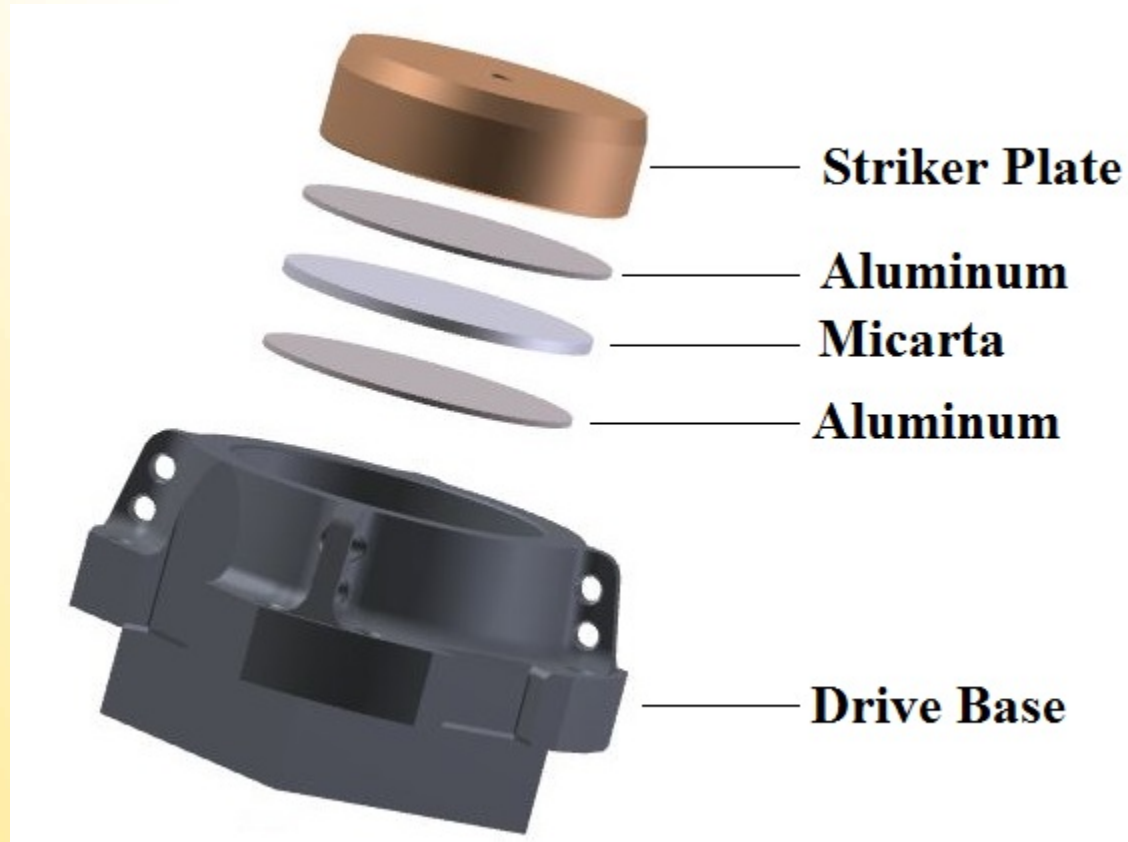
Micarta / Conbest



Cushion material, micarta or conbest



Cushion Stack



Benefits of Knowing!

One of the benefits of knowing your cushion material is ensuring your safety on the job. It will also show that you know what you are doing in the field! Couple that with avoiding damage to the hammer components and you are the hero and you have a job to go to the next time!



Knowing your Application

- 1) Know what size hammer you are using!
- 2) Know what size the leads are!
- 3) Know what type of pile you are driving!
- 4) Know what size primary or drive base you need.
- 5) Know what type of cushion material you have or need!
- 6) Know what type of insert you need!

